

J/SST174 SERIES

SINGLE P-CHANNEL JFET SWITCH

FEATURES

Direct Replacement For SILICONIX J/SST174 SERIES

LOW ON RESISTANCE $r_{DS(on)} \leq 85\Omega$

LOW GATE OPERATING CURRENT $I_{D(off)} = 10\text{pA}$

ABSOLUTE MAXIMUM RATINGS¹

@ 25 °C (unless otherwise stated)

Maximum Temperatures

Storage Temperature -55 to 150°C

Junction Operating Temperature -55 to 135°C

Maximum Power Dissipation

Continuous Power Dissipation 350mW

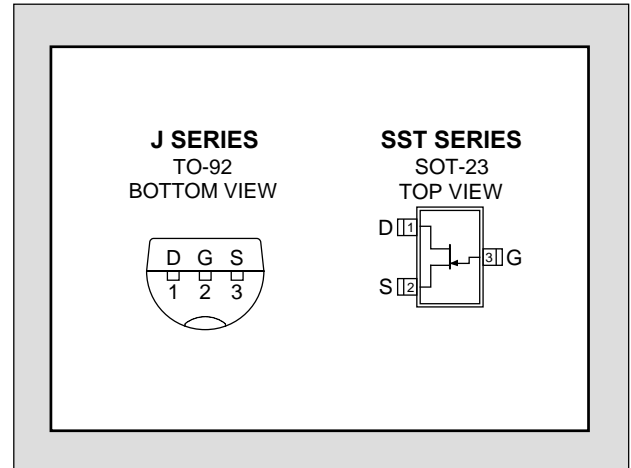
Maximum Currents

Gate Current $I_G = -50\text{mA}$

Maximum Voltages

Gate to Drain Voltage $V_{GDS} = 30\text{V}$

Gate to Source Voltage $V_{GSS} = 30\text{V}$



COMMON ELECTRICAL CHARACTERISTICS @ 25 °C (unless otherwise stated)

SYMBOL	CHARACTERISTIC	MIN	TYP	MAX	UNITS	CONDITIONS
BV_{GSS}	Gate to Source Breakdown Voltage	30			V	$I_G = 1\mu\text{A}, V_{DS} = 0\text{V}$
$V_{GS(F)}$	Gate to Source Forward Voltage		-0.7			$I_G = -1\text{mA}, V_{DS} = 0\text{V}$
I_{GSS}	Gate Reverse Current		0.01	1	nA	$V_{GS} = 20\text{V}, V_{DS} = 0\text{V}$
I_G	Gate Operating Current		0.01			$V_{DG} = -15\text{V}, I_D = -1\text{mA}$
$I_{D(off)}$	Drain Cutoff Current		-0.01	-1		$V_{DS} = -15\text{V}, V_{GS} = 10\text{V}$

SPECIFIC ELECTRICAL CHARACTERISTICS @ 25 °C (unless otherwise stated)

SYMBOL	CHARACTERISTIC	J/SST174		J/SST175		J/SST176		J/SST177		UNITS	CONDITIONS
		MIN	MAX	MIN	MAX	MIN	MAX	MIN	MAX		
$V_{GS(off)}$	Gate to Source Cutoff Voltage	5	10	3	6	1	4	0.8	2.25	V	$V_{DS} = -15\text{V}, I_D = -10\text{nA}$
I_{DSS}	Drain to Source Saturation Current	-20	-135	-7	-70	-2	-35	-1.5	-20	mA	$V_{DS} = -15\text{V}, V_{GS} = 0\text{V}$
$r_{DS(on)}$	Drain to Source On Resistance		85		125		250		300	Ω	$V_{GS} = 0\text{V}, V_{DS} = -0.1\text{V}$

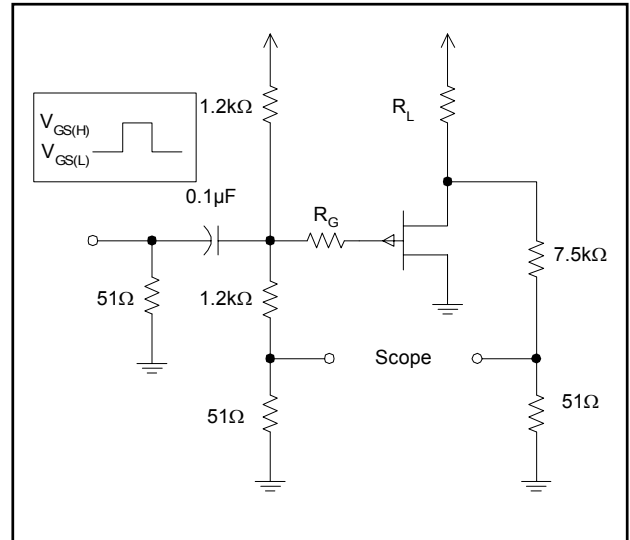
SWITCHING CHARACTERISTICS

$t_{d(on)}$	Turn On Time	10	ns	$V_{GS(L)} = 0V$ $V_{GS(H)} = 10V$ See Switching Circuit
t_r	Turn On Rise Time	15		
$t_{d(off)}$	Turn Off Time	10		
t_f	Turn Off Fall Time	20		

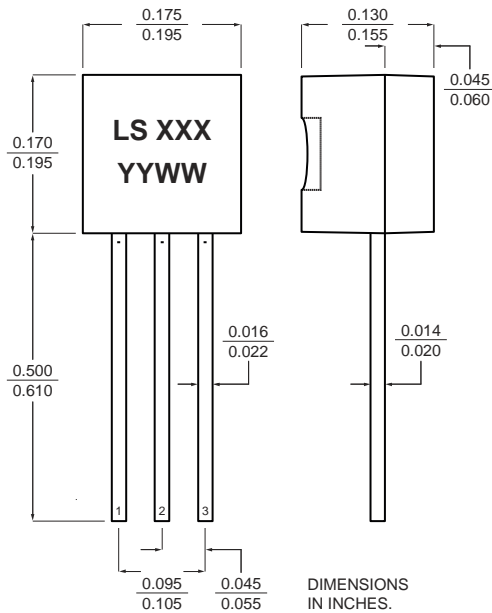
SWITCHING CIRCUIT PARAMETERS

	J/SST174	J/SST175	J/SST176	J/SST177
V_{DD}	-10V	-6V	-6V	-6V
V_{GG}	20V	12V	8V	5V
R_L	560 Ω	750 Ω	1800 Ω	5600 Ω
R_G	100 Ω	220 Ω	390 Ω	390 Ω
$I_{D(on)}$	-15mA	-7mA	-3mA	-1mA

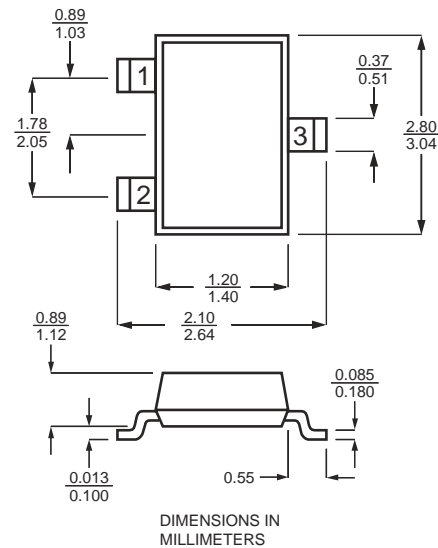
SWITCHING CIRCUIT



TO-92



SOT-23



1. Absolute maximum ratings are limiting values above which serviceability may be impaired.

2. Pulsed test: $P_w \leq 300\mu S$ Duty Cycle: 3%

Information furnished by Linear Integrated Systems is believed to be accurate and reliable. However, no responsibility is assumed for its use; nor for any infringement of patents or other rights of third parties which may result from its use. No license is granted by implication or otherwise under any patent or patent rights of Linear Integrated Systems.